

### Double Compartment

#### For GN Food Pans

Models UPC800, UPC1600, UPC1600HD

#### Security Package

Models UPC800SP, UPC1600SP, UPCGL1600SP



#### Features & Benefits

- Large capacity Camcarts easily handle storing and transporting food for any catering job, large or small, hot or cold foods. May also be used for health care meal tray service.
- GN 1/1 Full Size Food Pan capacity per compartment:  
**Model UPC800, UPC800SP**  
2 each 8" (20 cm) deep, 3 each 6" (15 cm) deep,  
4 each 4" (10 cm) deep, or 6 each 2½" (6,5 cm) deep  
Also holds GN 1/2 & GN 1/3 Size Food Pans and 4 each Metric Camtrays® (#3253).  
**Model UPC1600, UPC1600SP, UPC1600HD, UPCGL1600SP**  
4 each 20 cm deep, 6 each 15 cm deep  
8 each 10 cm deep, or 12 each 6,5 cm deep  
Also holds GN 1/2 Long Size Food Pans and 8 each Metric Camtrays® (#3253).
- Store hot and cold foods in the same compartment with the use of the optional ThermoBarrier® Insulated Shelf Divider. Keep food chilled for 8 hours or more with the optional Camchiller®. No external power or ice required.
- Maintain hot food holding temperatures at higher levels and for longer when using two Camwarmers® inside each compartment of the UPC800 models.
- Tough, one piece seamless, double-wall, polyethylene construction is easy to maintain and won't dent, crack, rust, chip or break.
- Thick polyurethane foam insulated compartments and air tight gaskets help retain food quality and temperatures without the use of external heat sources.
- Durable nylon door latches are easy to open and close securely to provide maximum temperature retention. Doors open 270° to the side for easy loading and unloading.
- Vent cap on each compartment allows steam to be released and keeps menu items from becoming soggy.
- Mid-height molded-in vertical handles on the back provide effective maneuvering during transport. Molded-in bumper minimizes damage to walls and furniture.
- Four each 6" (15,24 cm) heavy-duty casters, 2 fixed, 2 swivel, 1 with brake, provide for smooth transporting and maneuvering across all types of terrain.
- UPC1600HD, UPC1600SP and UPCGL1600SP have heavy-duty, hi-modulus 6" (15,24 cm) x 2" (5 cm) 2 fixed, 2 swivel with brake casters.
- Security Package models are ideal for correctional facility use: Tamper-resistant screws on latches, non-removable doors, casters and chassis plates mounted with tamper-resistant bolts, locking hasp for padlocks (padlocks not included).
- Non electrical.
- No assembly required.
- Available in 11 colors.

Item No. \_\_\_\_\_

Specifier Identification No. \_\_\_\_\_

Model No. \_\_\_\_\_

Quantity \_\_\_\_\_



UPC1600



Camwarmer®  
(For use in UPC800)



UPC800

#### Approvals



## Double Compartment

### For GN Food Pans

Models UPC800, UPC1600, UPC1600HD

### Security Package

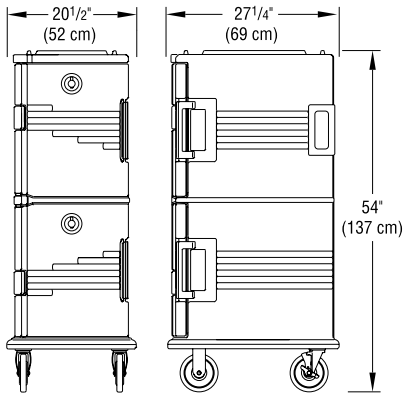
Models UPC800SP, UPC1600SP, UPCGL1600SP

Item No. \_\_\_\_\_

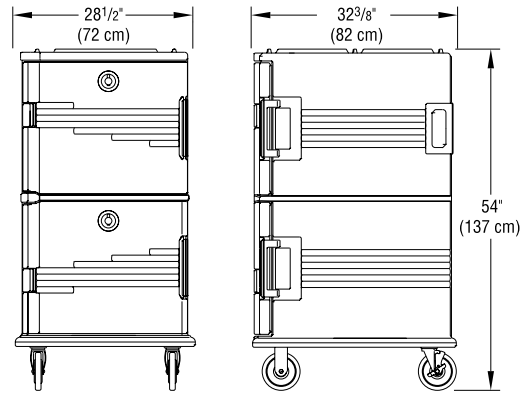
Specifier Identification No. \_\_\_\_\_

Model No. \_\_\_\_\_

Quantity \_\_\_\_\_



UPC800, UPC800TR



UPC1600, UPC1600SP, UPCGL1600SP

## Specifications

Dimension Tolerance: +/- 1/4" (0,64 cm)

Code	Description	Capacity Per Cavity	Exterior Dimensions W x D x H (with casters)	Case lbs./cube kg / m³
UPC800	Camcart	60 qts. (57 L)	20 1/2" x 27 1/8" x 54" (52 x 69 x 137 cm)	86 (19.28) 39,01 (0,546)
UPC1600	Camcart	120 qts. (114 L)	28 1/4" x 33 3/8" x 54 1/8" (72 x 82 x 137 cm)	111 (32.29) 62,2 (0,92)
UPC1600HD	Camcart	120 qts. (114 L)	28 3/4" x 33 3/8" x 54 1/8" (72 x 82 x 137 cm)	121.5 (37.27) 62,2 (0,92)
<b>Security Package</b>				
UPC800SP	Camcart	60 qts. (57 L)	20 1/2" x 27 1/8" x 54" (52 x 69 x 137 cm)	95.5 (19.28) 43,3 (0,546)
UPC1600SP	Camcart	120 qts. (114 L)	28 3/4" x 33 3/8" x 54 1/8" (72 x 82 x 137 cm)	121.5 (37.27) 62,2 (0,92)
UPCGL1600SP	Camcart	120 qts. (114 L)	28 3/4" x 33 3/8" x 54 1/8" (72 x 82 x 137 cm)	121.5 (37.27) 62,2 (0,92)

## Optional Accessories

### ThermoBarrier®

- 400DIV for UPC800, UPC800SP – Gray (180)
- 1600DIV for UPC1600, UPC1600SP, UPC1600HD, UPCGL1600SP – Slate Blue (401)

### Camchiller

- CP1220 – Cold Blue (159)

### Camwarmer®

- 1210PW for UPC800, UPC800TR – Granite Gray (191)

## Standard Colors

- Black (110)
- Dark Brown (131)
- Coffee Beige (157)
- Hot Red (158)
- Navy Blue (186)
- Granite Gray (191)
- Granite Green (192)
- Granite Sand (194)
- Slate Blue (401)
- Brick Red (402)
- Kentucky Green (519)

## Architect Specs

The non-electrical food service and transport cart shall be a Camcart, Model ..., manufactured by Cambro Mfg. Co., Huntington Beach, CA 92647 U.S.A. It shall be made of one-piece, seamless, double-wall, high-density, polyethylene. It shall have 2 separate insulated polyurethane foam-injected compartments. Each compartment shall accommodate a variety of GN 1/1 Full, 1/2 or 1/3 Size Food Pans, from 2 1/2" (6,5 cm) to 8" (20 cm) deep. It shall have nylon door latches and the compartment doors shall swing open 270° to the side. It shall have a vent cap on each compartment. It shall have mid-height molded-in vertical handles located on the back of the cart. It shall have a molded-in bumper. It shall have 4 each 6" (15,24 cm) casters, 2 fixed,

2 swivel, 1 w/ brake. It shall be available with an optional security package for correctional facility use. UPC1600HD, UPC1600SP and UPCGL1600SP shall have 4 each heavy-duty, hi-modulus 6" (15,24 cm) x 2" (5 cm) 2 fixed, 2 swivel with brake casters. GLSP model has no gaskets for security concerns. It shall require no assembly. It shall be available in 11 colors.

## Approvals

